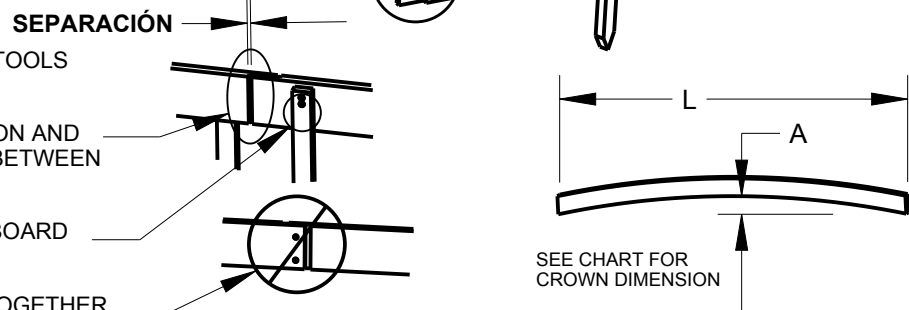


- ▶ USE COURSE WOOD WORKING TOOLS FOR CUTTING AND DRILLING.
- ▶ ALLOW FOR THERMAL EXPANSION AND SHRINKAGE BY LEAVING GAPS BETWEEN END OF BOARDS.
- ▶ USE PLATED SCREWS TO JOIN BOARD TO STAKE.
- ▶ DO NO SCREW BOTH BOARDS TOGETHER.



AVAILABLE ACCESSORIES FOR BENDA BOARD PRODUCTS

	ACCESSORY DESCRIPTION AND COLOR	ACTUAL DIMENSION	PRODUCT NUMBER
1	12 BENDA BOARD PLASTIC STAKE / REDWOOD	.67in X 11.75in X 1.38in 1.7cm X 29.84cm X 3.5cm	100036740
2	18 BENDA BOARD PLASTIC STAKE / REDWOOD	.67in X 17.75in X 1.38in 1.7cm X 45.08cm X 3.5cm	100036741
3	12 BENDA BOARD PLASTIC STAKE / SAND	.67in X 11.75in X 1.38in 1.7cm X 29.84cm X 3.5cm	100036742
4	12 BENDA BOARD PLASTIC STAKE / CARMEL BROWN	.67in X 11.75in X 1.38in 1.7cm X 29.84cm X 3.5cm	100046315
5	STEEL J STAKE 1 x 4 / REDWOOD	1.35in X 12.75in X 1.28in 3.42cm X 32.38cm X 3.25cm	200079367
6	STEEL J STAKE 1 x 4 / SAND	1.35in X 12.75in X 1.28in 3.42cm X 32.38cm X 3.25cm	200079371
7	STEEL J STAKE 1 x 4 / BLACK	1.35in X 12.75in X 1.28in 3.42cm X 32.38cm X 3.25cm	200102712
8	STEEL J STAKE 2 x 4 / REDWOOD	1.5in X 11in X 1.75in 3.81cm X 27.94cm X 4.44cm	200079370
9	12 PRE-DRILLED STAKE / TEAK BROWN	.67in X 11.75in X 1.38in 1.7cm X 29.84cm X 3.5cm	200102648
10	18 PRE-DRILLED STAKE / TEAK BROWN	.67in X 11.75in X 1.38in 1.7cm X 45.08cm X 3.5cm	200102649
11	12 REDWOOD STAKE (ACTUAL REDWOOD)	.68in X 11.5in X 1.45in 1.7cm X 29.2cm X 3.7cm	200079372
12	18 REDWOOD STAKE (ACTUAL REDWOOD)	.68in X 17.5in X 1.45in 1.7cm X 44.4cm X 3.7cm	200109153
13	1x 4 STEEL HAIRPIN	.14in X 13in X 1.25in 3.5mm X 33.02cm 3.17cm	200079368
14	2 x 4 STEEL HAIRPIN	.16in X 13in X 1.8in 4mm X 33.02cm 4.57cm	200079369
15	# GALVANIZED SCREWS	1-1/4in 3.05cm	200079375
16	# GALVANIZED SCREWS	2in 5.08cm	200079376

NOMINAL DESCRIPTION	PRODUCT NUMBER	COLOR	ACTUAL DIMENSION D x H x L	MINIMUM RADIUS	GAP	MAXIMUM CROWN H / L	RECOMMENDED ACCESSORIES (REFER TO NEXT CHART)
1 x 4 x 20	100036729	REDWOOD	.72" x 3.35" x 20'	24"	1/4" - 1/2"	19" / 20'	1, 2, 3, 4, 5, 6, 7, 9, 10, 11, 12, 13, 15
	100036733	SAND					
	100059386	TEAK					
	100051993	BLACK					
2 x 4 x 20	100036731	REDWOOD	1.37" x 3.4" x 20'	36"	1/2" - 3/4"	16" / 20'	1, 2, 4, 8, 9, 10, 11, 12, 14, 16
	100059389	TEAK					
1 x 6 x 20	100036730	REDWOOD	.75" x 5.35" x 20'	24"	1/2" - 3/4"	9" / 20'	1, 2, 3, 4, 5, 6, 7, 9, 10, 11, 12, 13, 15
	100059387	TEAK					
2 x 6 x 16	100036732	REDWOOD	1.35" x 5.4" x 16'	36"	3/4" - 1"	N/A	1, 2, 4, 8, 9, 10, 11, 12, 14, 16

BENDA BOARD HEADER BOARD DETAIL # 110

MADE IN USA by EPIC PLASTICS
 104 E. TURNER RD, LODI CA 95240
 www.epicplastics.com

BENDA BOARD IS INTENDED FOR NON-STRUCTURAL USE ONLY